



SUGGAR

SUGGAR

STOVES

BEST





Stove Master Grill 4 burners

FGVMTG411/12BR – FGVMTG411/12PT – FGVMTG411/12PRIX

- Super modern design
- Upper control buttons
- Designed tempered glass table curved: quality and high resistance
- Triple Iron Single Plaster with 6 support points: more modern, robust and durable
- Triple flame burner
- Super automatic ignition activated table and in the oven
- Injected burners
- Oven capacity: 56L
- Easy Clean oven: grease does not stick and it is easier to clean
- Oven with safety valve
- Roast in the oven
- Door with mirror
- Italian hinges: cushion closing to door
- Thermal protection with double glass in the oven
- Oven temperature control: 180°C to 280°C
- 1 fixed grate and 1 sliding grate with 3 levels of oven adjustment
- Handle with curved aluminum design brushed (BR and PT)
- Handle with curved painted design in silver color (Prize)
- Raised feet for easy cleaning from the floor
- Light in the oven (the lamp does not it comes with the product)
- 127V or 220V

SWITCHED ON
SUPERAUTOMATIC

TREMPÉ
IN MOLTEN
IRON WITH 6
SUPPORTS

GRILL

TRIPLE
FLAME

SPECIFICATIONS

	WHITE	BLACK	PRIX
MOD. 127V	FGVMTG411BR	FGVMTG411PT	FGVMTG411PRIX
CÓD. EAN 127V	790.831.281.930-9	790.831.281.932-3	790.831.281.934-7
MOD. 220V	FGVMTG412BR	FGVMTG412PT	FGVMTG412PRIX
CÓD. EAN 220V	790.831.281.931-6	790.831.281.933-0	790.831.281.935-4
QTY OF PIECES IN THE BOX	1	1	1
PROD. W/O PKGG. (WxHxD/cm)	49,5x92,0x66,3	49,5x92,0x66,3	49,5x92,0x66,3
PROD. INCL. PKGG. (WxHxD/cm)	50,5x93,0x67,3	50,5x93,0x67,3	50,5x93,0x67,3
WEIGHT W/O PKGG. (kg)	25,5	25,5	25,5
WEIGHT INCL. PKGG. (kg)	28,0	28,0	28,0



Stove Master Grill 5 burners

FGVMTG511/12BR - FGVMTG511/12PT - FGVMTG511/12PRIX

SWITCHED ON
SUPERAUTOMATIC

TREMPÉ IN
MOLTEN IRON
WITH 6
SUPPORTS

90L OVEN WITH
MIRROR DOOR

GRILL

TRIPLE FLAME

- Super modern design
- Upper control buttons
- Designed tempered glass table curved: quality and high resistance
- Triple Iron Single Plaster with 6 support points: more modern, robust and durable
- Triple flame burner
- Super automatic ignition activated table and in the oven
- Injected burners
- Oven capacity: 90L
- Easy Clean oven: grease does not stick and it is easier to clean
- Oven with safety valve
- Roast in the oven
- Door with mirror
- Italian hinges: cushion closing to door
- Thermal protection with double glass in the oven
- Oven temperature control: 180°C to 280°C
- 1 fixed grate and 1 sliding grate with 3 levels of oven adjustment
- Handle with curved aluminum design brushed (BR and PT)
- Handle with curved painted design in silver color (Prize)
- Raised feet for easy cleaning from the floor
- Light in the oven (the lamp does not it comes with the product)
- 127V or 220V

SPECIFICATIONS

	WHITE	BLACK	PRIX
MOD. 127V	FGVMTG511BR	FGVMTG511PT	FGVMTG511PRIX
CÓD. EAN 127V	790.831.281.936-1	790.831.281.938-5	790.831.281.940-8
MOD. 220V	FGVMTG512BR	FGVMTG512PT	FGVMTG512PRIX
CÓD. EAN 220V	790.831.281.937-8	790.831.281.939-2	790.831.281.941-5
QTY OF PIECES IN THE BOX	1	1	1
PROD. W/O PKGG. (WxHxD/cm)	75,5x92,0x64,3	75,5x92,0x64,3	75,5x92,0x64,3
PROD. INCL. PKGG. (WxHxD/cm)	77,5x93,0x65,3	77,5x93,0x65,3	77,5x93,0x65,3
WEIGHT W/O PKGG. (kg)	34,0	34,0	34,0
WEIGHT INCL. PKGG. (kg)	37,5	37,5	37,5



Stove Best Glass 4 burners

FGVBG410BR - FGVBG410PRIX - FGVBG410PT

- Super modern design
- Upper control buttons
- Designed tempered glass table curved: quality and high resistance
- Individual iron triples plaster with 6 support points: more modern, robust and durable
- Triple flame burner
- Super automatic ignition activated table and in the oven
- Injected burners
- Oven capacity: 56L
- Easy Clean oven: grease does not stick and it is easier to clean
- Oven with safety valve
- Italian hinges: cushion the door closing
- Thermal protection with double glass in the oven
- Temperature control oven: 180°C to 280°C
- 1 fixed grate and 1 sliding grate with 3 levels of oven adjustment
- Brushed aluminum handle (BR and PT)
- Handle painted in silver color (Prize)
- Elevated feet that facilitate floor cleaning
- Light in the oven (the lamp it is not included with the product)
- Bivolt

SWITCHED ON
SUPERAUTOMATIC

TREMPÉ
IN MOLTEN
IRON WITH 6
SUPPORTS

ABILITY FROM
THE OVEN: 56
LITERS

SPECIFICATIONS

	WHITE	BLACK	PRIX
MOD. BIVOLT	FGVBG410BR	FGVBG410PT	FGVBG410PRIX
CÓD. EAN BIVOLT	790.831.281.920-0	790.831.281.922-4	790.831.281.921-7
QTY OF PIECES IN THE BOX	1	1	1
PROD. W/O PKGG. (WxHxD/cm)	49,5x92,0x64,3	49,5x92,0x64,3	49,5x92,0x64,3
PROD. INCL.PKGG. (WxHxD/cm)	50,5x93,0x65,3	50,5x93,0x65,3	50,5x93,0x65,3
WEIGHT W/O PKGG. (kg)	24,0	24,0	24,0
WEIGHT INCL. PKGG (kg)	26,5	26,5	26,5



Stove Best Glass 5 burners

FGVBG510BR - FGVBG510PRIX - FGVBG510PT

TRIPLE FLAME

SWITCHED ON
SUPERAUTOMATIC

ABILITY FROM
THE OVEN: 90
LITERS

ABILITY FROM
THE OVEN: 90
LITERS

- Super modern design
- Upper control buttons
- Designed tempered glass table curved: quality and high resistance
- Individual iron triples plaster with 6 support points: more modern, robust and durable
- Triple flame burner
- Super automatic ignition activated table and in the oven
- Injected burners
- Oven capacity: 90L
- Easy Clean oven: grease does not stick and it is easier to clean
- Oven with safety valve
- Italian hinges: cushion the door closing
- Thermal protection with double glass in the oven
- Temperature control oven: 180°C to 280°C
- 1 fixed grate and 1 sliding grate with 3 levels of oven adjustment
- Brushed aluminum handle (BR and PT)
- Handle painted in silver color (Prize)
- Elevated feet that facilitate floor cleaning
- Light in the oven (the lamp it is not included with the product)
- Bivolt

SPECIFICATIONS

	WHITE	BLACK	PRIX
MOD. BIVOLT	FGVBG510BR	FGVBG510PT	FGVBG510PRIX
CÓD. BIVOLT	790.831.281.923-1	790.831.281.925-5	790.831.281.924-8
QTY OF PIECES IN THE BOX	1	1	1
PROD. W/O PKGG. (WxHxD/cm)	75,5x92,0x64,3	75,5x92,0x64,3	75,5x92,0x64,3
PROD. INCL. PKGG. (WxHxD/cm)	77,5x93,0x65,3	77,5x93,0x65,3	77,5x93,0x65,3
WEIGHT W/O PKGG. (kg)	34,0	34,0	34,0
WEIGHT INCL. PKGG. (kg)	37,0	37,0	37,0



Stove Max Glass 4 burners

FGVMG410BR - FGVMG410PRIX - FGVMG410PT

- Super modern design
- Upper control buttons
- Tempered glass table: quality and high resistance
- Steel trivet matte enamelled with 6 points supportive: more stability for pans
- Auto power on activated table and in the oven
- Injected burners
- Oven capacity: 56L
- Easy Clean oven: grease does not sticks and is easier to clean
- Oven with safety valve
- Thermal protection with glass double in the oven
- Temperature control of the oven: 180°C to 280°C
- Painted aluminum handle stove color
- 1 fixed grate and 1 sliding grate with 3 levels of adjustment of the oven
- Elevated feet that facilitate floor cleaning
- Light in the oven (the lamp it is not included with the product)
- Bivolt

SWITCHED ON
SUPERAUTOMATIC

TREMPÉ IN
MOLTEN
IRON WITH 6
SUPPORTS

ABILITY FROM
THE OVEN: 56
LITERS

SPECIFICATIONS

	WHITE	BLACK	PRIX
MOD. BIVOLT	FGVMG410BR	FGVMG410PT	FGVMG410PRIX
CÓD. BIVOLT	790.831.281.942-2	790.831.281.944-6	790.831.281.943-9
QTY OF PIECES IN THE BOX	1	1	1
PROD. W/O PKGG (WxHxD/cm)	49,5x92,0x64,3	49,5x92,0x64,3	49,5x92,0x64,3
PROD. INCL. PKGG (WxHxD/cm)	50,5x93,0x65,3	50,5x93,0x65,3	50,5x93,0x65,3
WEIGHT W/O PKGG. (kg)	24,5	24,5	24,5
WEIGHT W/O PKGG (kg)	27,0	27,0	27,0



Stove Max Glass 5 burners

FGVMG510BR - FGVMG510PRIX - FGVMG510PT

TRIPLE FLAME

SWITCHED ON
SUPERAUTOMATIC

TREMPÉ IN
MOLTEN
IRON WITH 6
SUPPORTS

ABILITY FROM
THE OVEN: 90
LITERS

- Super modern design
- Upper control buttons
- Tempered glass table: quality and high resistance
- Steel trivet matte enamelled with 6 points supportive: more stability for pans
- Auto power on activated table and in the oven
- Injected burners
- Oven capacity: 90L
- Easy Clean oven: grease does not sticks and is easier to clean
- Oven with safety valve
- Thermal protection with glass double in the oven
- Temperature control of the oven: 180°C to 280°C
- Painted aluminum handle stove color
- 1 fixed grate and 1 sliding grate with 3 levels of adjustment of the oven
- Elevated feet that facilitate floor cleaning
- Light in the oven (the lamp it is not included with the product)
- Bivolt

SPECIFICATIONS

	WHITE	BLACK	PRIX
MOD. BIVOLT	FGVMG510BR	FGVMG510PT	FGVMG510PRIX
CÓD. BIVOLT	790.831.281.945-3	790.831.281.947-7	790.831.281.946-0
QTY OF PIECES IN THE BOX	1	1	1
PROD. W/O PKGG (WxHxD/cm)	75,5 x92,0x64,3	75,5 x92,0x64,3	75,5 x92,0x64,3
PROD. INCL. PKGG (WxHxD/cm)	77,5x93,0x65,3	77,5x93,0x65,3	77,5x93,0x65,3
WEIGHT W/O PKGG. (kg)	33,5	33,5	33,5
WEIGHT INCL. PKGG. (kg)	37,0	37,0	37,0



Stove Neo Glass 4 burners

FGVNG410BR - FGVNG410PRIX - FGVNG410PT

- Super modern design
 - Upper control buttons
 - Tempered glass table: quality and high resistance
 - Steel trivet shiny enamelled with 6 support points: more stability for pans
 - Fully on automatic activated table and on the oven
 - Injected burners
 - Oven capacity: 56L
 - Easy Clean oven:
- grease does not sticks and is easier to clean
 - Thermal protection with glass double in the oven
 - Temperature control of the oven: 180°C to 280°C
 - Painted steel handle kitchen color
 - Elevated feet that facilitate floor cleaning
 - Oven with safety valve
 - Fixed grille with 3 levels of setting in the oven
 - Bivolt

SWITCHED ON
SUPERAUTOMATIC

TREMPÉ IN
MOLTEN
IRON WITH 6
SUPPORTS

ABILITY FROM
THE OVEN:
56 LITERS

SPECIFICATIONS

	WHITE	BLACK	PRIX
MOD. BIVOLT	FGVNG410BR	FGVNG410PT	FGVNG410PRIX
CÓD. BIVOLT	790.831.281.948-4	790.831.281.950-7	790.831.281.949-1
QTY OF PIECES IN THE BOX	1	1	1
PROD. W/O PKGG (WxHxD/cm)	49,5x92,0x64,3	49,5x92,0x64,3	49,5x92,0x64,3
PROD. INCL PKGG. (WxHxD/cm)	50,5x93,0x65,3	50,5x93,0x65,3	50,5x93,0x65,3
WEIGHT W/O PKGG (kg)	22,0	22,0	22,0
WEIGHT W/O PKGG (kg)	24,5	24,5	24,5



Stove Neo Glass 5 burners

FGVNG510BR - FGVNG510PRIX - FGVNG510PT

SWITCHED ON
SUPERAUTOMATIC

TREMPÉ IN
MOLTEN
IRON WITH 6
SUPPORTS

ABILITY FROM
THE OVEN: 90
LITERS

- Super modern design
- Upper control buttons
- Tempered glass table: quality and high resistance
- Steel trivet shiny enamelled with 6 support points: more stability for pans
- Fully on automatic activated table and on the oven
- Injected burners
- Oven capacity: 90L
- Easy Clean oven: grease does not sticks and is easier to clean
- Thermal protection with glass double in the oven
- Temperature control of the oven: 180°C to 280°C
- Painted steel handle kitchen color
- Elevated feet that facilitate floor cleaning
- Oven with safety valve
- Fixed grille with 3 levels of setting in the oven
- Bivolt

SPECIFICATIONS

	WHITE	BLACK	PRIX
MOD. BIVOLT	FGVNG510BR	FGVNG510PT	FGVNG510PRIX
CÓD. BIVOLT	790.831.281.951-4	790.831.281.953-8	790.831.281.952-1
QTY OF PIECES IN THE BOX	1	1	1
PROD. W/O PKGG. (WxHxD/cm)	75,5 x92,0x64,3	75,5 x92,0x64,3	75,5 x92,0x64,3
PROD. INCL. PKGG. (WxHxD/cm)	77,5x93,0x65,3	77,5x93,0x65,3	77,5x93,0x65,3
WEIGHT W/O PKGG. (kg)	30,5	30,5	30,5
WEIGHT INCL. PKGG. (kg)	34,0	34,0	34,0



Stove Cook Glass 4 burners

FGVCG410BR - FGVCG410PT

- Super modern design
- Tempered glass table: quality and high resistance
- Steel trivet bright enamelled with 6 points supportive: more stability for pans
- Fully on automatic activated table and in the oven
- Enamelled steel burners
- Oven capacity: 56L
- Easy Clean oven: grease does not spread sticks and is easier to clean
- Thermal protection with double glass in the oven
- Oven temperature control: 180°C to 280°C
- Color painted steel handle from the stove
- Raised feet that facilitate floor cleaning
- Oven with safety valve
- Fixed grille with 3 levels of adjustment in the oven
- Bivolt

SWITCHED ON
SUPERAUTOMATIC

TREMPÉ IN
MOLTEN
IRON WITH 6
SUPPORTS

ABILITY FROM
THE OVEN: 56
LITERS

SPECIFICATIONS

COR	WHITE	BLACK
MOD. BIVOLT	FGVCG410BR	FGVCG410PT
CÓD. BIVOLT	790.831.281.926-2	790.831.281.927-9
QTY OF PIECES IN THE BOX	1	1
PROD. W/O PKGG (WxHxD/cm)	49,5x92,0x64,3	49,5x92,0x64,3
PROD. INCL. PKGG (WxHxD/cm)	50,5x93,0x65,3	50,5x93,0x65,3
WEIGHT W/O PKGG. (kg)	21,5	21,5
WEIGHT INCL. PKGG. (kg)	24,5	24,5



Stove Cook Glass 5 burners

FGVCG510BR - FGVCG510PT

- Super modern design
- Tempered glass table: quality and high resistance
- Steel trivet bright enamelled with 6 points supportive: more stability for pans
- Fully on automatic activated table and in the oven
- Enamelled steel burners
- Oven capacity: 90L
- Easy Clean oven: grease does not spread sticks and is easier to clean
- Thermal protection with double glass in the oven
- Oven temperature control: 180°C to 280°C
- Color painted steel handle from the stove
- Raised feet that facilitate floor cleaning
- Oven with safety valve
- Fixed grille with 3 levels of adjustment in the oven
- Bivolt

SWITCHED ON
SUPERAUTOMATIC

TREMPÉ IN MOLTEN
IRON WITH 6
SUPPORTS

ABILITY FROM
THE OVEN: 90
LITERS

MEGA FLAME

SPECIFICATIONS

	WHITE	BLACK
MOD. BIVOLT	FGVCG510BR	FGVCG510PT
CÓD. BIVOLT	790.831.281.928-6	790.831.281.929-3
QTY OF PIECES IN THE BOX	1	1
PROD. W/O PKGG. (WxHxD/cm)	75,5x92,0x64,3	75,5x92,0x64,3
PROD. INCL. PKGG (WxHxD/cm)	77,5 x93,0x65,3	77,5 x93,0x65,3
WEIGHT W/O PKGG. (kg)	30,0	30,0
WEIGHT INCL. PKGG. (kg)	33,5	33,5



Stove Select 4 burners

FGISL410PRIX

- Super modern design
- Brushed stainless steel table: quality and high resistance
- Double cast lattice: more modern, robust and durable
- Automatic ignition on the table and in the oven
- Injected burners
- Oven capacity: 56L
- Door with mirror
- Easy Clean oven: grease does not spread sticks and is easier to clean
- Oven with safety valve
- Italian hinges: cushion the door closing
- Thermal protection with double glass in the oven
- Oven temperature control: 180°C to 280°C
- 1 fixed grate and 1 sliding grate with 3 levels of oven adjustment
- Brushed aluminum handle
- Raised feet for easy cleaning from the floor
- Light in the oven (the lamp is not comes with the product)
- Bivolt

DOOR
MIRROR

TREMPÉ IN
IRON MELTED

OVEN 56L
EASY CLEAN

TABLE
STAINLESS
BRUSHED

SPECIFICATIONS

COLOR	SILVER
MOD. BIVOLT	FGISL410PRIX
CÓD. EAN IX	790.831.281.954-5
QTY OF PIECES IN THE BOX	1
PROD. W/O PKGG. (WxHxD/cm)	48,9x90,3x63,7
PROD. INCL. PKGG. (WxHxD/cm)	50,5x93,0x65,3
WEIGHT W/O PKGG. (kg)	21,5
WEIGHT INCL. PKGG. (kg)	24,0



Stove Select 5 burners

FGISL510PRIX

- Super modern design
- Brushed stainless steel table: quality and high resistance
- Double cast lattice: more modern, robust and durable
- Automatic ignition on the table and in the oven
- Injected burners
- Oven capacity: 90L
- Door with mirror
- Easy Clean oven: grease does not spread sticks and is easier to clean
- Oven with safety valve
- Italian hinges: cushion the door closing
- Thermal protection with double glass in the oven
- Oven temperature control: 180°C to 280°C
- 1 fixed grate and 1 sliding grate with 3 levels of oven adjustment
- Brushed aluminum handle
- Raised feet for easy cleaning from the floor
- Light in the oven (the lamp is not comes with the product)
- Bivolt

DOOR
MIRROR

TREMPÉ IN
IRON MELTED

TRIPLE
FLAME

TABLE
STAINLESS
BRUSHED

SPECIFICATIONS

COLOR	PLATA
MOD. BIVOLT	FGISL510PRIX
CÓD. EAN IX	790831281955-2
QTY OF PIECES IN THE BOX	1
PROD. W/O PKGG. (WxHxD/cm)	75,0x91,3x63,7
PROD. INCL. PKGG. (WxHxD/cm)	77,5x93,0x65,3
WEIGHT W/O PKGG. (kg)	30,5
WEIGHT INCL. PKGG. (kg)	34,0

SUGGAR

COOKTOPS





Glass Cooktop 1 burner

FG0101AVP - FG0101FVP

- 1 gas burner
- Tempered glass
- Super automatic ignition
- Enameled steel trivet
- Cast iron trivet
- Triple flame burner
- Removable multi-control button
- Thermal power: 3.5Kw

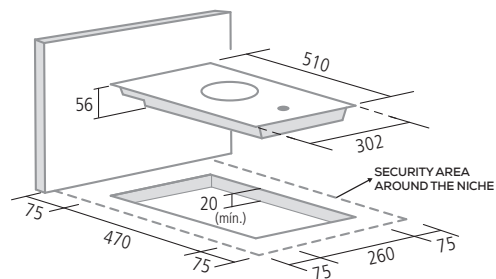
SWITCHED ON
SUPERAUTOMATIC

TRIPLE FLAME

BIVOLT

SPECIFICATIONS

COLOR	BLACK	BLACK
CÓD. PRODUCTO	FG0101AVP	FG0101FVP
CÓD. EAN	790.831.280.910-2	790.831.280.740-5
QTY OF PIECES IN THE BOX	1	1
PROD. W/O PKGG. (WxHxD/cm)	30,2x10,4x51,0	30,2x10,4x51,0
PROD. W/O PKGG. (WxHxD/cm)	32,2x18,0x53,0	32,2x18,0x53,0
WEIGHT W/O PKGG. (kg)	4,8	4,8
WEIGHT INCL. PKGG. (kg)	5,8	5,8



- Dimensions in millimeters and niche for filling



Glass Cooktop 2 burner

FG2002AVP - FG2002FVP

- 2 gas burners
- Tempered glass
- Super automatic ignition
- Enameled steel trivet
- Cast iron trivet
- Removable multi-control buttons
- Thermal power: 3.75kW
- Enameled burners different sizes

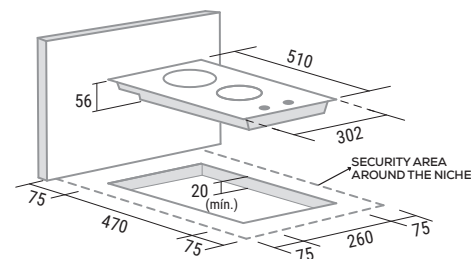
SWITCHED ON
SUPERAUTOMATIC

GLASS
TEMPERED

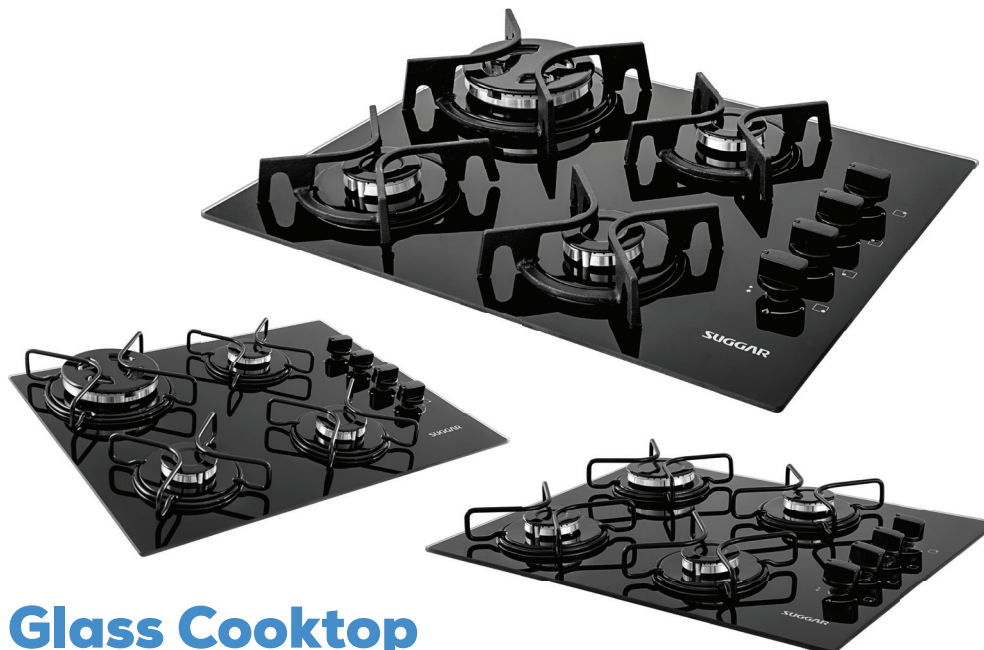
BIVOLT

SPECIFICATIONS

COLOR	BLACK	BLACK
CÓD. PRODUCTO	FG2002AVP	FG2002FVP
CÓD. EAN	790.831.280.752-8	790.831.280.742-9
QTY OF PIECES IN THE BOX	1	1
PROD. W/O PKGG. (WxHxD/cm)	30,2x9,9x51,0	30,2x9,9x51,0
PROD. INCL. PKGG. (WxHxD/cm)	32,2x18,0x53,0	32,2x18,0x53,0
WEIGHT W/O PKGG. (kg)	4,8	4,8
WEIGHT INCL. PKGG. (kg)	5,8	5,8



- Dimensions in millimeters and niche for filling



Glass Cooktop 4 burners

FG4404FVP - FG4004AVP - FG4304AVP

- 4 gas burners
- Tempered glass
- Super automatic ignition
- Triple flame burner (FG4304AVP/FG4404FVP)
- Enameled steel trivet (FG4004AVP/FG4304AVP)
- Cast iron trivet (FG4404FVP)

- Enameled burners of different sizes.
- Removable multi-control buttons
- Thermal power: 7.05kW (FG4004AVP) and 8.45Kw (FG4304AVP/FG4404FVP)

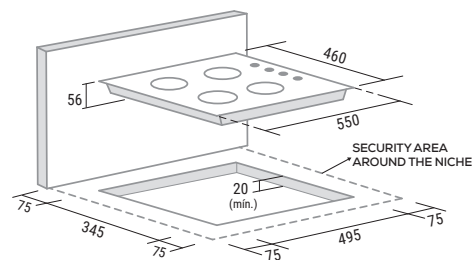
SWITCHED ON
SUPERAUTOMATIC

GLASS
TEMPERED

BIVOLT

SPECIFICATIONS

COLOR	BLACK	BLACK	BLACK
CÓD. PRODUCTO	FG4304AVP	FG4404FVP	FG4004AVP
CÓD. EAN	790.831.280.911-9	790.831.280.741-2	790.831.280.753-5
QTY OF PIECES IN THE BOX	1	1	1
PROD. W/O PKGG. (WxHxD/cm)	55,0x9,9x46,0	55,0x9,9x46,0	55,0x9,9x46,0
PROD. INCL. PKGG. (WxHxD/cm)	57,0x18,0x48,0	57,0x18,0x48,0	57,0x18,0x48,0
WEIGHT W/O PKGG. (kg)	7,3	7,3	7,3
WEIGHT INCL. PKGG. (kg)	8,9	8,9	8,9



- Dimensions in millimeters and niche for filling



Models FG5305AVM/FG5305AVP/FG5305ABR
available in VM, PT and BR colors

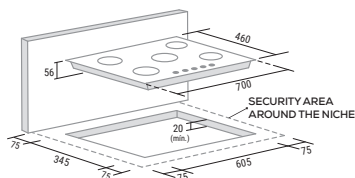


Models FG5305FVP/FG5305FBR
available in PT and BR colors



Glass Cooktop 5 burners

FG5005AVP - FG5305AVP - FG5305AVM
FG5305ABR - FG5305FVP - FG5305FBR



SWITCHED ON
SUPERAUTOMATIC

GLASS
TEMPERED

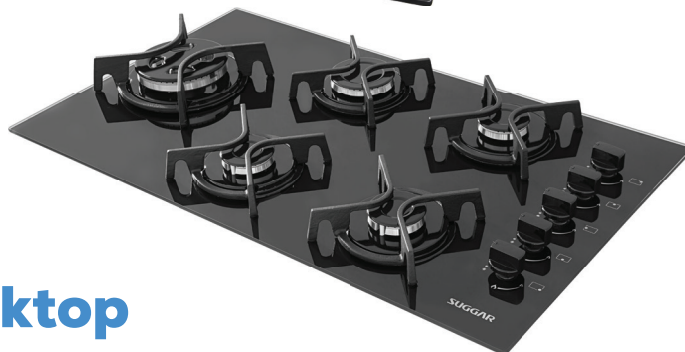
BIVOLT

- 5 gas burners
- Tempered glass
- Super automatic ignition
- Central triple flame burner (except FG5005AVP)
- Individual enamelled steel trivets (FG5005AVP/
FG5305AVM/FG5305AVP/FG5305APR)

- Individual cast iron trivets (FG5305FVP/FG5305FBR)
- Enameled burners of different sizes.
- Removable multi-control buttons
- Thermal power: 8.7kW (FG5005AVP) and 10.35kW
(FG5305AVM/FG5305AVP/FG5305ABR/FG5305FVP/
FG5305FBR)

SPECIFICATIONS

COLOR	BLACK	BLACK	RED	WHITE	BLACK	WHITE
CÓD. PRODUCTO	FG5005AVP	FG5305AVP	FG5305AVM	FG5305ABR	FG5305FVP	FG5305FBR
CÓD. EAN	790.831.280.754-2	790.831.280.755-9	790.831.280.913-3	790.831.280.912-6	790.831.280.743-6	790.831.280.927-0
QTY. OF PIECES IN THE BOX	1	1	1	1	1	1
PROD. W/O PKGG. (WxHxD/cm)	70,0x9,9x46,0	70,0x10,4x46,0	70,0x10,4x46,0	70,0x10,4x46,0	70,0x10,4x46,0	70,0x10,4x46,0
PROD. INCL. PKGG. (WxHxD/cm)	72,0x18,4x48,0	72,0x18,4x48,0	72,0x18,4x48,0	72,0x18,4x48,0	72,0x18,4x48,0	72,0x18,4x48,0
WEIGHT W/O PKGG. (kg)	9,1	9,7	9,7	9,7	9,7	9,7
WEIGHT INCL. PKGG. (kg)	11,0	11,5	11,5	11,5	11,5	11,5



Glass Cooktop 5 burners

FG5535FVP - FG5335VP

- 5 gas burners
- Tempered glass
- Super automatic ignition
- Triple side flame burner
- Cast iron trivets

- Enamelled burners of different sizes
- Removable multi-control buttons
- Thermal power: 10.35kW

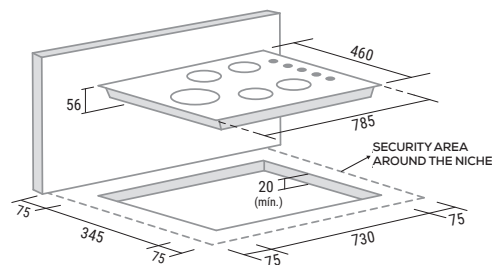
SWITCHED ON
SUPERAUTOMATIC

TRIPLE FLAME
SIDE

BIVOLT

SPECIFICATIONS

COLOR	BLACK	BLACK
CÓD. PRODUCTO	FG5535FVP	FG5335VP
CÓD. EAN	790.831.280.933-1	789.651.850.929-5
QTY OF PIECES IN THE BOX	1	1
PROD. W/O PKGG. (WxHxD/cm)	78,5x10,4x46,0	78,5x10,4x46,0
PROD. INCL. PKGG. (WxHxD/cm)	80,5x18,4x48,0	80,5x18,4x48,0
WEIGHT W/O PKGG. (kg)	10,5	10,5
WEIGHT INCL. PKGG. (kg)	12,5	12,5



- Dimensions in millimeters and niche for filling

SUGGAR

SUGGAR



SUGGAR BY SUGGAR





Cooker Hood Dual Voltage with Blanket

DPS160BIBR/DPS180BIBR

60 OR 80CM

WHITE

BIVOLT

- 1-speed
- Big suction capacity: 430m³/h
- Double filtering:
 - Filtering blanket: eliminates fat and smoke
 - Activated carbon filter: eliminates undesirable odors
- Light
- Much more silent
- Power: 165W
- Low consumption: 0,12kWh

SPECIFICATIONS	60cm	80cm
COLOR	WHITE	WHITE
CÓD. PRODUCTO	DPS160BIBR	DPS180BIBR
CÓD. EAN	790.831.280.986-7	790.831.280.987-4
QTY OF PIECES IN THE BOX	1	1
PROD. W/O PKGG. (WxHxD/cm)	60,0x8,5x48,0	80,0x8,5x48,0
PROD. INCL. PKGG. (WxHxD/cm)	63,5x10,0x51,7	83,5x10,0x51,7
WEIGHT W/O PKGG. (kg)	4,6	5,1
WEIGHT INCL. PKGG. (kg)	5,65	6,6



Cooker Hood Dual Voltage with Blanket

DPS1601/02PR - DPS1801/02PR
DPS1601/02PT - DPS1801/02PT

60 OR 80CM

SILVER AND
BLACK



- 3-speed
- Big suction capacity: 430m³/h
- Double filtering:
 - Filtering blanket: eliminates fat and smoke
 - Activated carbon filter: eliminates undesirable odors
- Light
- Much more silent
- Power: 165W
- Low consumption: 0,12kWh

SPECIFICATIONS	60cm	80cm	60cm	80cm
COLOR	SILVER	SILVER	BLACK	BLACK
MOD. 127V	DPS1601PR	DPS1801PR	DPS1601PT	DPS1801PT
CÓD. EAN 127V	790.831.280.989-8	790.831.280.995-9	790.831.280.990-4	790.831.280.996-6
MOD. 220V	DPS1602PR	DPS1802PR	DPS1602PT	DPS1802PT
CÓD. EAN 220V	790.831.280.992-8	790.831.280.998-0	790.831.280.993-5	790.831.280.999-7
QTY OF PIECES IN THE BOX	1	1	1	1
PROD. W/O PKGG (WxHxD/cm)	60,0x8,5x48,0	80,0x8,5x48,0	60,0x8,5x48,0	80,0x8,5x48,0
PROD. INCL. PKGG (WxHxD/cm)	63,5x10,0x51,7	83,5x10,0x51,7	63,5x10,0x51,7	83,5x10,0x51,7
WEIGHT W/O PKGG. (kg)	4,6	5,1	4,6	5,1
WEIGHT INCL. PKGG. (kg)	5,25	6,2	5,25	6,2



Also available in colors MT,
STAINLESS, SILVER AND RED



Cooker Hood Slim

DPS161/62BR - DPS181/82BR - DPS161/62IX
DPS181/82IX - DPS161/62PT - DPS181/82PT -
DPS161/62VM - DPS181/82VM - DPS161/62PR -
DPS181/82PR

60 OR 80CM



- 3-speed
- Big suction capacity: 430m³/h
- Double filtering:
 - Washable aluminum meshes: eliminate fat and smoke
 - Activated carbon filter: eliminates undesirable odors

- Light
- Much more silent
- Double function: chimney hood and hood
- Power: 165W
- Low consumption: 0,12kWh

SPECIFICATIONS	60cm	80cm	60cm	80cm	60cm	80cm
COLOR	STAINLESS	STAINLESS	WHITE	WHITE	MATTE BLACK	MATTE BLACK
MOD. 127V	DPS161IX	DPS181IX	DPS161BR	DPS181BR	DPS161PT	DPS181PT
CÓD. EAN 127V	790.831.280.959-1	790.831.280.973-7	790.831.280.958-4	790.831.280.972-0	790.831.280.961-4	790.831.280.975-1
MOD. 220V	DPS162IX	DPS182IX	DPS162BR	DPS182BR	DPS162PT	DPS182PT
CÓD. EAN 220V	790.831.280.967-6	790.831.280.981-2	790.831.280.963-8	790.831.280.977-5	790.831.280.969-0	790.831.280.983-6
COLOR	SILVER	SILVER	RED	RED		
MOD. 127V	DPS161PR	DPS181PR	DPS161VM	DPS181VM		
CÓD. EAN 127V	790.831.280.960-7	790.831.280.974-4	790.831.280.962-1	790.831.280.976-8		
MOD. 220V	DPS162PR	DPS182PR	DPS162VM	DPS182VM		
CÓD. EAN 220V	790.831.280.968-3	790.831.280.982-9	790.831.280.971-3	790.831.280.985-0		
QTY OF PIECES IN THE BOX	1	1	1	1	1	1
PROD. W/O PKGG. (AnchxAltxProf cm)	60,0x8,5x48,0	80,0x8,5x48,0	80,0x8,5x48,0	80,0x8,5x48,0	60,0x8,5x48,0	80,0x8,5x48,0
PROD. INCL. PKGG (AnchxAltxProf cm)	63,5x10,0x51,7	83,5x10,0x51,7	63,5x10,0x51,7	83,5x10,0x51,7	63,5x10,0x51,7	83,5x10,0x51,7
PROD. INCL. PKGG (kg)	4,6	5,1	5,1	5,1	4,6	5,1
WEIGHT INCL. PKGG (kg)	5,25	6,2	6,2	6,2	5,25	6,2



Cooker Hood Slim Touch

DTH61/62IX - DTH81/82IX - DTH61/62PT - DTH81/82PT

60 OR 80CM

STAINLESS
AND BLACK



- Touch panel with digital clock
- Timer with automatic shut-off
- Filter screen saturation signalling: indicates when it's time to wash.
- 3-speed
- Big suction capacity: 430m³/h
- Double filtering:
 - Washable aluminum meshes: eliminate fat and smoke
 - Activated carbon filter: eliminates undesirable odors
- Light
- Much more silent
- Double function: chimney hood and hood
- Power: 160W
- Low consumption: 0,16kWh

SPECIFICATIONS	60cm	80cm
COLOR	STAINLESS	STAINLESS
MOD. 127V	DTH61IX	DTH81IX
CÓD. EAN 127V	790.831.280.934-8	790.831.280.936-2
MOD. 220V	DTH62IX	DTH82IX
CÓD. EAN 220V	790.831.280.935-5	790.831.280.937-9
COLOR	NEGRO	NEGRO
MOD. 127V	DTH61PT	DTH81PT
CÓD. EAN 127V	790.831.280.938-6	790.831.280.940-9
MOD. 220V	DTH62PT	DTH82PT
CÓD. EAN 220V	790.831.280.939-3	790.831.280.941-6
QTY OF PIECES IN THE BOX	1	1
PROD. W/O PKGG.(WxHxD/cm)	60,0x8,5x48,0	80,0x8,5x48,0
PROD. INCL. PKGG. (WxHxD/cm)	65,5x14,0x55,0	85,5x14,0x55,0
WEIGHT W/O PKGG (kg)	4,6	5,4
WEIGHT INCL. PKGG. (kg)	5,75	6,4



90CM

STAINLESS
AND BLACK

Cooker Hood Glass Touch

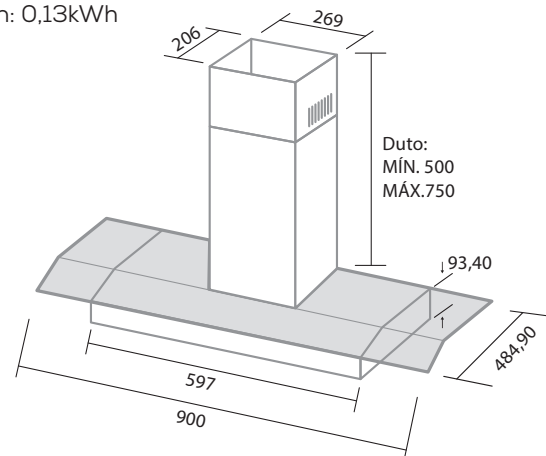
DV91/92THIX-DV91/92THPT

- Touch panel with digital clock
- Timer with automatic shut-off
- Filter screen saturation signalling: indicates when it's time to wash
- 3-speed
- Big suction capacity: 430m³/h
- Light
- Much more silent
- Double filtering:
 - Washable aluminum meshes: eliminate fat and smoke
 - Activated carbon filter: eliminates undesirable odors
- Double function: chimney hood and hood
- Low consumption: 0,13kWh
- Power: 165W

SPECIFICATIONS

90cm

	INOX	NEGRO
MOD.127V	DV91THIX	DV91THPT
CÓD. EAN 127V	790.831.281.104-4	790.831.281.105-1
MOD.220V	DV92THIX	DV92THPT
CÓD. EAN 220V	790.831.281.106-8	790.831.281.107-5
QTY OF PIECES IN THE BOX	1	1
PROD. W/O PKGG. (WxHxD/cm)	90,0x86,6x49,0	90,0x86,6x49,0
PROD. INCL. PKGG. (WxHxD/cm)	92,2x28,4x55,8	92,2x28,4x55,8
PROD. INCL. PKGG. (kg)	12,25	12,25
WEIGHT INCL. PKGG. (kg)	15,1	15,1



• Dimensions in millimeters



60 OR 80CM

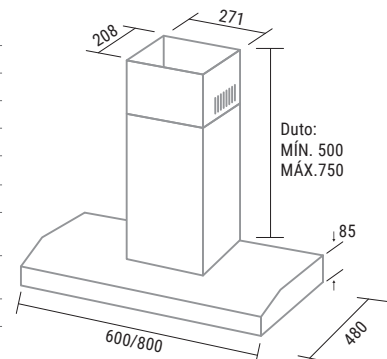
STAINLESS AND
BLACK

Cooker Hood Top Clean

DPC61/62PT - DPC81/82PT
DPC61/62IX - DPC81/82IX

- 3-speed
- Big suction capacity: 430m³/h
- Double filtering:
 - Washable aluminum meshes: eliminate fat and smoke
 - Activated carbon filter: eliminates undesirable odors
- Light
- Much more silent
- Double function: chimney hood and hood
- Power: 165W
- Low consumption: 0,12kWh

SPECIFICATIONS	60cm	60cm	80cm	80cm
COLOR	BLACK	STAINLESS	BLACK	STAINLESS
MOD. 127V	DPC61PT	DPC61IX	DPC81PT	DPC81IX
CÓD. EAN 127V	790.831.281.001-6	790.831.281.000-9	790.831.281.005-4	790.831.281.004-7
MOD. 220V	DPC62PT	DPC62IX	DPC82PT	DPC82IX
CÓD. EAN 220V	790.831.281.003-0	790.831.281.002-3	790.831.281.007-8	790.831.281.006-1
QTY OF PIECES IN THE BOX	1	1	1	1
PROD. W/O PKGG (WxHxD/cm)	60,0x8,5x48,0	60,0x8,5x48,0	80,0x8,5x48,0	80,0x8,5x48,0
PROD. INCL. PKGG (WxHxD/cm)	61,0x55,4x28,4	61,0x55,4x28,4	81,0x55,4x28,4	81,0x55,4x28,4
PROD. INCL. PKGG. (kg)	6,8	6,8	7,55	7,55
PROD. INCL. PKGG. (kg)	7,7	7,7	8,7	8,7



• Dimensions in millimeters

SUGGAR

WASHING MACHINE



Hecho en *Minas Gerais*



Washing Machine Neo Turbilhão 8kg

LE8001/02BR

- Power: 400W
- Best washing efficiency and highest beater of the category.
- Whisk with new design: ensures a clean more efficient
- Washes up to 8 kg of clothes
- 6 washing programs
- Soap dispenser with large drawer
- Lint filter
- 3 sauces and automatic shut-off
- Timer with programming from 0 to 28 min.
- Low consumption: 0.09kWh/cycle

SPECIFICATIONS

COR	WHITE
MOD. 127V	LE8001BR
CÓD. EAN 127V	790.831.280.001-7
MOD. 220V	LE8002BR
CÓD. EAN 220V	790.831.280.002-4
QTY OF PIECES IN THE BOX	1
PROD. W/O PKGG. (WxHxD/cm)	51,3x96,0x54,8
PROD. INCL. PKGG (WxHxD/cm)	55,0x97,0x60,0
WEIGHT W/O PKGG (kg)	9,38
WEIGHT INCL. PKGG. (kg)	11,00

THE BEST
EFFICIENCY OF
CATEGORY

WHITE



Hecho en *Minas Gerais*



Washing Machine Neo Eco 10kg

LE1011/12BR - LE1011/12PT - LE1011/12PR

- Power: 400W
- The best washing efficiency and the highest category beater.
- Whisk with new design: ensures a clean more efficient
- Washes up to 10 kg of clothes
- 6 washing programs
- Soap dispenser with large drawer
- Lint filter
- 3 saucers and automatic shut-off
- Timer with programming from 0 to 28 min.
- Low consumption: 0.10kWh/cycle

SPECIFICATIONS

	BLACK	WHITE	SILVER
COR	BLACK	WHITE	SILVER
MOD. 127V	LE1211PT	LE1211BR	LE1001PR
CÓD. EAN 127V	790.831.281.530-1	790.831.281.532-5	790.831.280.192-2
MOD. 220V	LE1212PT	LE1212BR	LE1002PR
CÓD. EAN 220V	790.831.281.531-8	790.831.281.533-2	790.831.280.193-9
QTY OF PIECES IN THE BOX	1	1	1
PROD. W/O PKGG (WxHxD/cm)	51,3x96,0x54,8	51,3x96,0x54,8	51,3x96,0x54,8
PROD. INCL. PKGG (WxHxD/cm)	55,0x97,0x60,0	55,0x97,0x50,0	55,0x97,0x50,0
WEIGHT W/O PKGG. (kg)	9,380	9,380	9,380
WEIGHT W/O PKGG. (kg)	11,00	11,00	11,00

THE BEST
EFFICIENCY OF
CATEGORY

WHITE, BLACK
AND SILVER



Hecho en *Minas Gerais*



Washing machine Lavamax Eco 10kg

LE1021/22BR - LE1021/22PR - LE1021/22PT

- Power: 450W
- The best washing efficiency and the highest category beater.
- Whisk with new design: ensures a clean more efficient
- Washes up to 10 kg of clothes
- 6 washing programs
- Soap dispenser with large drawer
- Lint filter
- 3 sauces and automatic shut-off
- Timer with programming from 0 to 28 min.
- Low consumption: 0.08kWh/cycle

SPECIFICATIONS

COR	WHITE	SILVER	BLACK
MOD. 127V	LE1021BR	LE1021PR	LE1021PT
CÓD. EAN 127V	790.831.281.909-5	790.831.281.906-4	790.831.281.907-1
MOD. 220V	LE1022BR	LE1022PR	LE1022PT
CÓD. EAN 220V	790.831.281.905-7	790.831.281.903-3	790.831.281.904-0
QTY OF PIECES IN THE BOX	1	1	1
PROD. W/O PKGG (WxHxD/cm)	49,8x96,1x54,0	49,8x96,1x54,0	49,8x96,1x54,0
PROD. INCL. PKGG. (WxHxD/cm)	50,4x96,7x54,6	50,4x96,7x54,6	50,4x96,7x54,6
WEIGHT W/O PKGG. (kg)	10,19	10,19	10,19
WEIGHT INCL. PKGG (kg)	11,54	11,54	11,54

THE BEST
EFFICIENCY OF
CATEGORY: 0,73

BLACK, SILVER
AND WHITE



Hecho en *Minas Gerais*



Washing Machine Lavamax Eco 15kg

LE1521/22BR - LE1521/22PR - LE1521/22PT

- Power: 500W
- The best washing efficiency and the highest beater by category
- Beater with new design: fins that guarantee a super efficient wash
- Washes up to 15 kg of clothes
- Bottle dispenser
- 3 water levels
- Plush filter
- 3 salsas and automatic shutdown
- Timer with programming from 0 to 28 min.
- Low consumption: 0.10 kWh/cycle

EFFICIENCY:
0,74

WHITE AND
BLACK AND
SILVER



SPECIFICATIONS

COR	WHITE	BLACK	SILVER
MOD. 127V	LE1521BR	LE1521PT	LE1521PR
CÓD. EAN 127V	790.831.281.826-5	790.831.281.530-1	790.831.281.824-1
MOD. 220V	LE1522BR	LE1522PT	LE1522PR
CÓD. EAN 220V	790.831.281.827-2	790.831.281.531-8	790.831.281.825-8
QTY OF PIECES IN THE BOX	1	1	1
PROD. W/O PKGG. (WxHxD/cm)	49,8x96,1x54,0	49,8x96,1x54,0	49,8x96,1x54,0
PROD. INCL. PKGG. (WxHxD/cm)	50,4x96,7x54,6	50,4x96,7x54,6	50,4x96,7x54,6
WEIGHT W/O PKGG. (kg)	10,19	10,19	10,19
WEIGHT INCL. PKGG. (kg)	11,54	11,54	11,54

Hecho en *Minas Gerais*



Washing Machine Lavamax Eco 20kg

LE2001/02BR - LE2001/02PT - LE2001/02PR

- Power: 550W
- Biggest hitter in the category
- Washes up to 20 kg of clothes
- SUPER CAPACITY: washes duvets king size couple
- Drainage system
- "Reuse water" function
- 2 dispensers
- 3 water levels and lint filter
- 3 saucers and automatic shut-off
- Timer with programming 0 to 28 min
- 6 washing programs
- Low consumption: 0.12kWh/cycle

SPECIFICATIONS

COR	WHITE	BLACK	SILVER
MOD. 127V	LE2001BR	LE2001PT	LE2001PR
CÓD. EAN 127V	790.831.281.255-3	790.831.281.257-7	790.831.281.256-0
MOD. 220V	LE2002BR	LE2002PT	LE2002PR
CÓD. EAN 220V	790.831.281.258-4	790.831.281.260-7	790.831.281.259-1
QTY OF PIECES IN THE BOX	1	1	1
PROD. W/O PKGG (WxHxD/cm)	55,0x95,7x59,5	55,0x95,7x59,5	55,0x95,7x59,5
PROD. INCL. PKGG (WxHxD/cm)	55,8x97,4x60,2	55,8x97,4x60,2	55,8x97,4x60,2
WEIGHT W/O PKGG. (kg)	11,3	11,3	11,3
WEIGHT INCL. PKGG (kg)	13,1	13,1	13,1

EFFICIENCY:
0,12

BLACK, WHITE
AND SILVER





Made in *Paraíba*



Washing Machine Lavamax Eco 10kg

LX1021/22BR - LX1021/22PT - LX1021/22PR

- Power: 450W
- Best washing efficiency and biggest hiter in the category
- Beater with new design: fins that guarantee super washing efficient
- Washes up to 10 kg of clothes
- Soap dispenser
- 3 water levels
- Lint filter
- 3 sauces and automatic shut-off
- Timer with programming from 0 to 28 min.
- Low consumption: 0.15kWh/cycle

SPECIFICATIONS

COR	WHITE	BLACK	SILVER
MOD. 127V	LX1021BR	LX1021PT	LX1021PR
CÓD. EAN 127V	789.651.851.718-4	789.651.852.243-0	789.651.850.799-4
MOD. 220V	LX1022BR	LX1022PT	LX1022PR
CÓD. EAN 220V	789.651.852.241-6	789.651.852.244-7	789.651.850.800-7
QTY OF PIECES IN THE BOX	1	1	1
PROD. W/O PKGG (WxHxD/cm)	51,3x95,5x56,7	51,3x95,5x56,7	51,3x95,5x56,7
PROD. INCL. PKGG (WxHxD/cm)	51,9x96,7x57,3	51,9x96,7x57,3	51,9x96,7x57,3
WEIGHT W/O PKGG. (kg)	10,34	10,34	10,34
WEIGHT INCL. PKGG (kg)	11,91	11,91	11,91

EFFICIENCY:
0,82

BLACK,
WHITE AND
SILVER





Washing Machine Lavamatic 16kg

LC1621/22BR - LC1621/22PR - LC1621/22PT

- Power: 530W
- Biggest hitter in the category
- Washes up to 16 kg of clothes
- SUPER CAPACITY: washes double size duvet giant
- Drainage system
- "Reuse water" function
- 2 dispensers: one for soap and one for softener
- Lint filter
- 3 saucers and automatic shut-off
- Timer with programming from 0 to 28 min.
- 6 washing programs
- Consumption: 0.10 kWh/cycle

EFFICIENCY:
0,75

WHITE, BLACK
AND SILVER



SPECIFICATIONS

COR	WHITE	SILVER	BLACK
MOD. 127V	LC1621BR	LC1621PR	LC1621PT
CÓD. EAN 127V	790.831.281.779-4	790.831.281.780-0	790.831.281.781-7
MOD. 220V	LC1622BR	LC1622PR	LC1622PT
CÓD. EAN 220V	790.831.281.782-4	790.831.281.783-1	790.831.281.784-8
QTY OF PIECES IN THE BOX	1	1	1
PROD. W/O PKGG (WxHxD/cm)	51,3x96,1x56,7	51,3x96,1x56,7	51,3x96,1x56,7
PROD. INCL. PKGG (WxHxD/cm)	51,9x96,7x57,3	51,9x96,7x57,3	51,9x96,7x57,3
WEIGHT W/O PKGG. (kg)	10,55	10,55	10,55
WEIGHT INCL. PKGG. (kg)	12,13	12,13	12,13

SUGGAR

ABRIR
SUGGAR
Giromax
15 kg
de roupa
molhada
LIGADO
DESLIGADO

CENTRIFUGE

SUGGAR



WHITE, BLACK
AND SILVER



Centrifuge Giromax 15kg

CT1501/02BR - CT1501/02PT - CT1501/02PR

- Capacity of 15 kg of wet clothes: equivalent to 5 kg of dry clothes
- 7 minute timer. w/ automatic shutdown
- High efficiency: 1750rpm, leaves the clothes almost to the point of iron
- Front water outlet
- Wide base: guarantees greater stability
- Protective grille for closing the basket
- Exclusive locking system: prevents the lid from opening during operation
- Side handle: easy handling and transport
- High efficiency: spin your clothes much more
- Spin to King size comforter or up to 20 shirts at once
- Power: 180W
- Low consumption: 0.18 kWh

SPECIFICATIONS

COLOR	WHITE	BLACK	SILVER
MOD. 127V	CT1501BR	CT1501PT	CT1501PR
CÓD. EAN 127V	790.831.280.195-3	790.831.280.196-0	790.831.281.146-4
MOD. 220V	CT1502BR	CT1502PT	CT1502PR
CÓD. EAN 220V	790.831.280.197-7	790.831.280.194-6	790.831.281.147-1
QTY OF PIECES IN THE BOX	1	1	1
PROD. W/O PKGG (WxHxD/cm)	42,0x69,5x41,6	42,0x69,5x41,6	42,0x69,5x41,6
PROD. INCL. PKGG. (WxHxD/cm)	42,2x71,2x42,2	42,2x71,2x42,2	42,2x71,2x42,2
WEIGHT W/O PKGG. (kg)	6,55	6,55	6,55
WEIGHT INCL. PKGG. (kg)	7,62	7,62	7,62

SUGGAR
eletrodomésticos



MINAS GERAIS

Belo Horizonte

Rua Jerônimo Marcucci, 74 - Bairro Pilar - CEP 30390-150

Televendas: 0800 205 1234 - Central de Relacionamento: 0800 200 5050

www.suggar.com.br - comex.export@suggar.com.br - 55 31 2105-5910

PARAÍBA

Conde

Rod. BR 101 Km 08 Galpão C - s/n - Distrito Industrial - CEP 58322-000



/suggarbr